

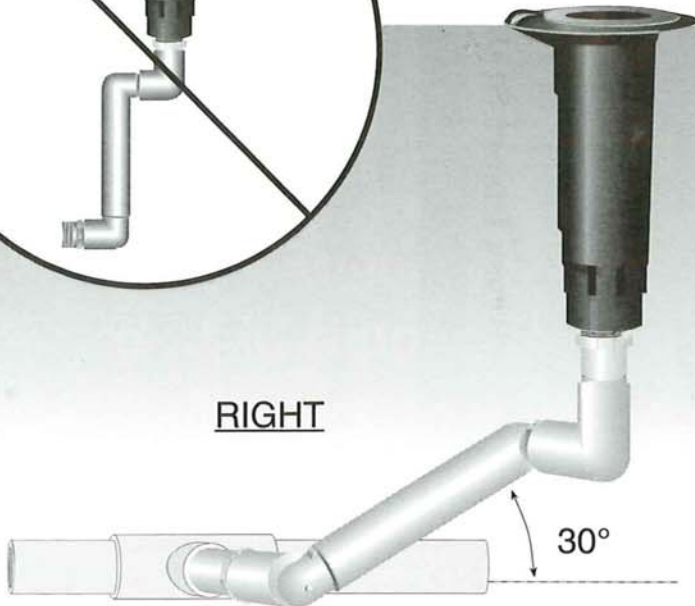
WRONG



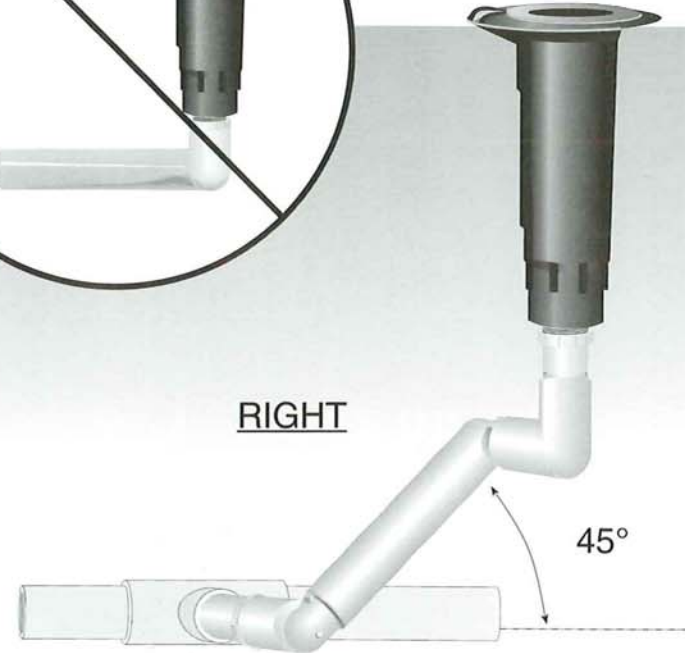
WRONG



RIGHT



RIGHT



*Installation Notes:*

- 1) ACME O-Ring sealed threads should be Finger Tightened and "Backed Off" one full rotation to provide maximum flexibility.*
- 2) The swing joint lay arm should be installed at an angle between 30 ° and 45° of the lateral pipe in order to absorb downward impact.*