

## CPVC CTS Ball Valves



**LASCO Fittings Inc.** introduces CPVC-CTS Ball Valves in ½” through 2” sizes.

- Thermoplastic design eliminates process and atmospheric corrosion.
- Molded from ASTM D1784, Cell Classification 23447 virgin CPVC resin. Suitable for hot and cold water systems.
- Conforms to ASTM D2846 for dimensions of sockets and wall thickness.
- Pressure rated up to 150 psi, non-shock water at 73° F.
- 100% Leak-tested
- Bi-directional: can be installed in either direction.

Part No	Size	Description	Ctn Qty	Code	List Price
V07491CE	1/2	SxS	100	VT	\$7.65
V08491CE	3/4	SxS	100	VT	\$9.90
V10491CE	1	SxS	100	VT	\$17.25
V14491CE	1-1/4	SxS	100	VT	\$31.20
V17491CE	1-1/2	SxS	48	VT	\$36.95
V20491CE	2	SxS	24	VT	\$48.95

**Standards and Specifications:**

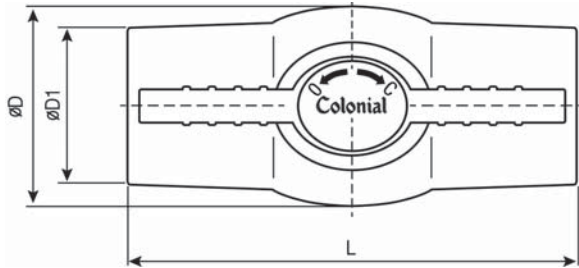
NSF – 61 Approved for Potable Water Service. Product also Certified to NSF/ANSI 61, Annex G and is in compliance with California’s Health & Safety Code Section 116875 (commonly known as AB1953) and Vermont Act 193.

**Contact Us:**

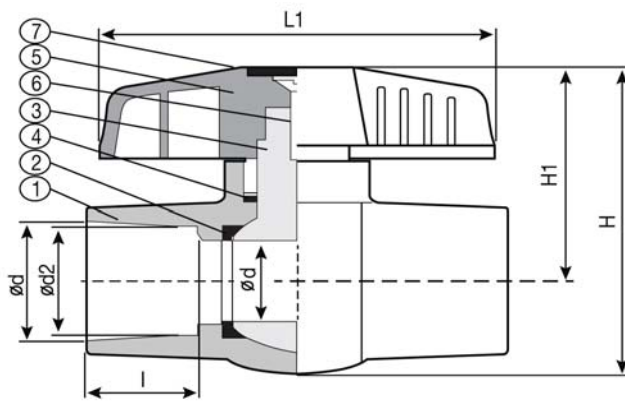
414 Morgan Street • Brownsville, TN 38012 • (731) 772-3180 • (800) 776-2756 • Fax: (731) 772-0835

visit our website: [www.lascofittings.com](http://www.lascofittings.com)

# CPVC CTS Ball Valves



No.	Part	Material	Quantity
1	Body	CPVC	1
2	Seat Seal	EPDM	2
3	Ball	CPVC	1
4	O-Ring	EPDM	1
5	Handle	ABS	1
6	Bolt	Zinc-Plated Steel	1
7	Cap	ABS	1



## Temperature Correction Factors for Valves (above 73°F)

Temp (°F)	CPVC
73°	1.00
80°	0.96
90°	0.92
100°	0.85
110°	0.77
120°	0.70
130°	0.62
140°	0.55
150°	0.47
160°	0.40
170°	0.32
180°	0.25
200°	0.18
210°	0.15
220°	NR

## DIMENSIONS

	1/2"	3/4"	1"	1-1/4"	1-1/2"	2"
<b>D</b>	1.260	1.559	2.047	2.244	2.480	3.110
<b>D1</b>	0.945	1.181	1.496	1.772	2.126	2.583
<b>d</b>	0.488	0.720	0.925	0.996	1.138	1.417
<b>d1</b>	0.633	0.884	1.135	0.982	1.624	2.132
<b>d2</b>	0.619	0.870	1.121	0.963	1.592	2.089
<b>L</b>	2.677	3.268	3.740	4.173	4.488	5.689
<b>L1</b>	2.362	2.756	3.465	3.937	3.937	4.291
<b>H</b>	1.929	2.480	3.110	3.661	3.858	4.528
<b>H1</b>	1.339	1.693	2.126	2.559	2.638	3.071
<b>I</b>	0.500	0.700	0.900	1.110	1.260	1.689

Sizes 1/2, 3/4, & 1" are full port. Sizes 1-1/4, 1-1/2 & 2" are reduced port.

Use for fluid transfer only. Do not use with compressed air or gas.

Contact Us:

414 Morgan Street • Brownsville, TN 38012 • (731) 772-3180 • (800) 776-2756 • Fax: (731) 772-0835

visit our website: [www.lascofittings.com](http://www.lascofittings.com)