

SUBMITTAL SHEET

1 INCH POOL SWEEP



JOB NAME	
JOB LOCATION	
ENGINEER	
CONTRACTOR	
TAG	
PO NUMBER	
REPRESENTATIVE	
WHOLESALE DISTRIBUTOR	

LASCO 1" POOL SWEEP FEATURES:

- **The Only 1" sweep that exceeds requirements of California Title 24 Code**
(LASCO exceeds California Title 24 Code by 28%, the Competitor's sweep elbow falls short by 32%)
- Sweep Elbows reduce pressure drop
- Socket dimensions meet Sch40 ASTM D 2466
- LASCO Sweep Elbows have been computer engineered through Computational Fluid Dynamics (CFD) studies for optimum material placement and performance.
- Burst Tested to SCH 40 standards (1440 psi)

WHY POOL SWEEPS ARE ENERGY EFFICIENT:

When water flows through standard 90° elbows, there is an increase in resistance to flow due to turbulence and friction that results in increased system pressure. The 90° Sweep Elbow has an advantage over standard elbows, because the 90° turn is less abrupt, which lowers its resistance to flow and that reduces the system pressure. Lower system pressure reduces pump load which increases energy savings and lowers operating cost.

SPECIFICATIONS:

ASTM D-1784 – Rigid Poly (Vinyl Chloride) (PVC) Compounds and Chlorinated Poly Vinyl Chloride) (CPVC) Compounds.

ASTM D-2466 – Socket Type Poly (Vinyl Chloride) (PVC) Plastic Pipe Fittings, Schedule 40.

ASTM F-1970 – Standard Specification for Special Engineered Fittings, Appurtenances or Valves for use in Poly (Vinyl Chloride) (PVC) or Chlorinated Poly (Vinyl Chloride) (CPVC) Systems.

LISTINGS – NSF/ANSI Standard 61

MATERIAL:

PVC Type 1 Cell Classification 12454-B

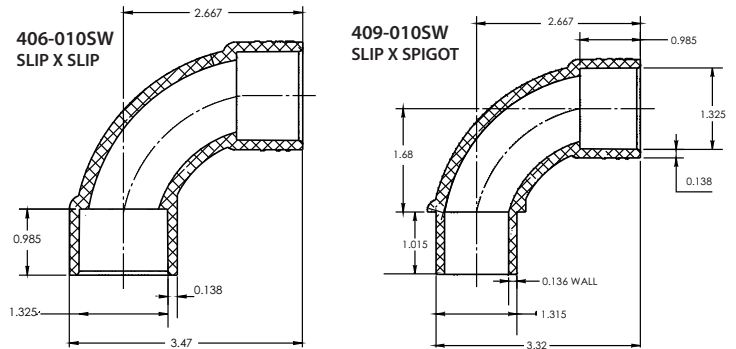
APPLICATIONS:

Pool / Spa
Automatic Refill Systems
Irrigation
Water Features
AquaCulture (Fish Hatcheries, Shrimp Farming, Algae Cultivation, etc.)
Pond Systems

CORPORATE:

414 Morgan Street • Brownsville, TN 38012
(731) 772-3180 | www.lascofittings.com

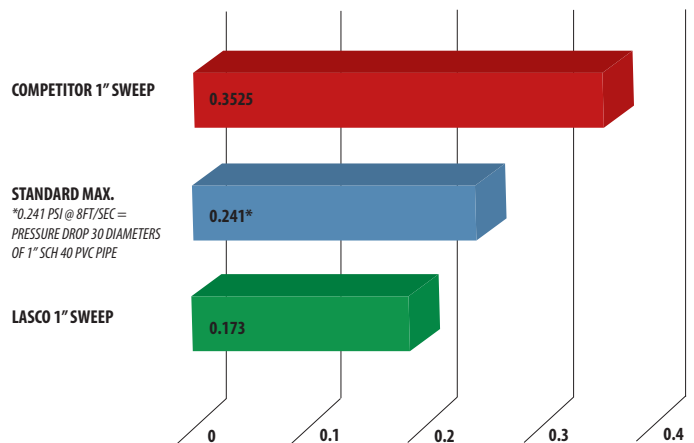
This specification is provided for reference only. LASCO Fittings, Inc reserves the right to change any portion of this specification without notice and without incurring obligation to make such changes to LASCO products previously or subsequently sold. Please visit our website www.lascofittings.com for the most current information.



CA Title 24 Code: All elbows shall be sweep elbows or of an elbow type that has a pressure drop of less than the pressure drop of straight pipe with a length of 30 pipe diameters.
- Maximum velocity 8ft/sec (in the return line)

Results shown below after simulations conducted using computer Computational Fluid Dynamics (C.F.D.) studies.

PRESSURE DROP PSI (SCH 40 SYSTEM)



TEST CONDITIONS:
INLET: 8FT/SEC FLUID VELOCITY
OUTLET: ATMOSPHERIC PRESSURE
FLUID: WATER